

PROOFF

progressive office

#004

PROOFF #004 Niche
by Axia Design















#004

PROOFF #004 Niche
by Axia Design



CRADLED IN AN
OPEN SPACE.
INTO THE SILENCE.
INVITING,
COMFORTABLE
AND PRACTICAL.

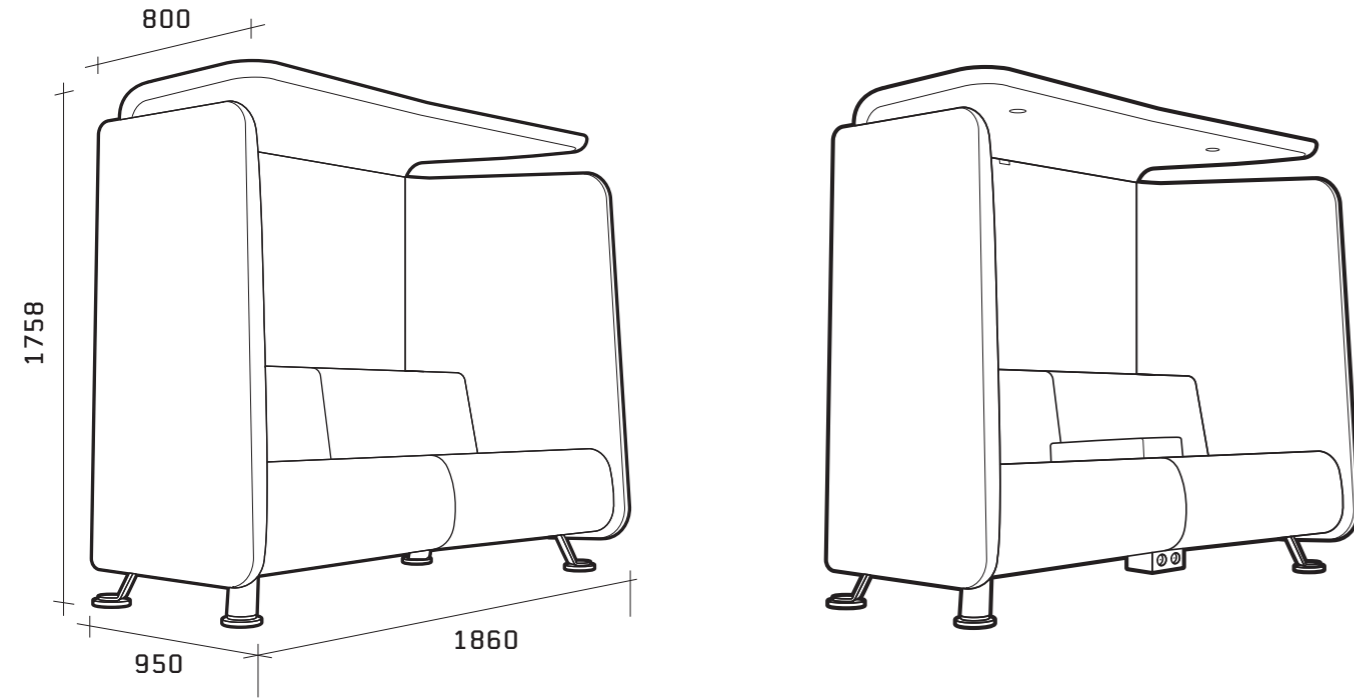
Comfortable silence

Together or alone, with a colleague, a client or acquaintance, Niche offers a perfect environment to hold one's meetings. The Niche facilitates this possibility in exposed public space. The idea for this design is inspired by the object of a 'sheath' or 'enveloping structure' which allows the user to immerse oneself in total concentration within an open public space. The early sketches of Niche outline not only its functionality but also its natural qualities by incorporating a soft and organic approach to its design.

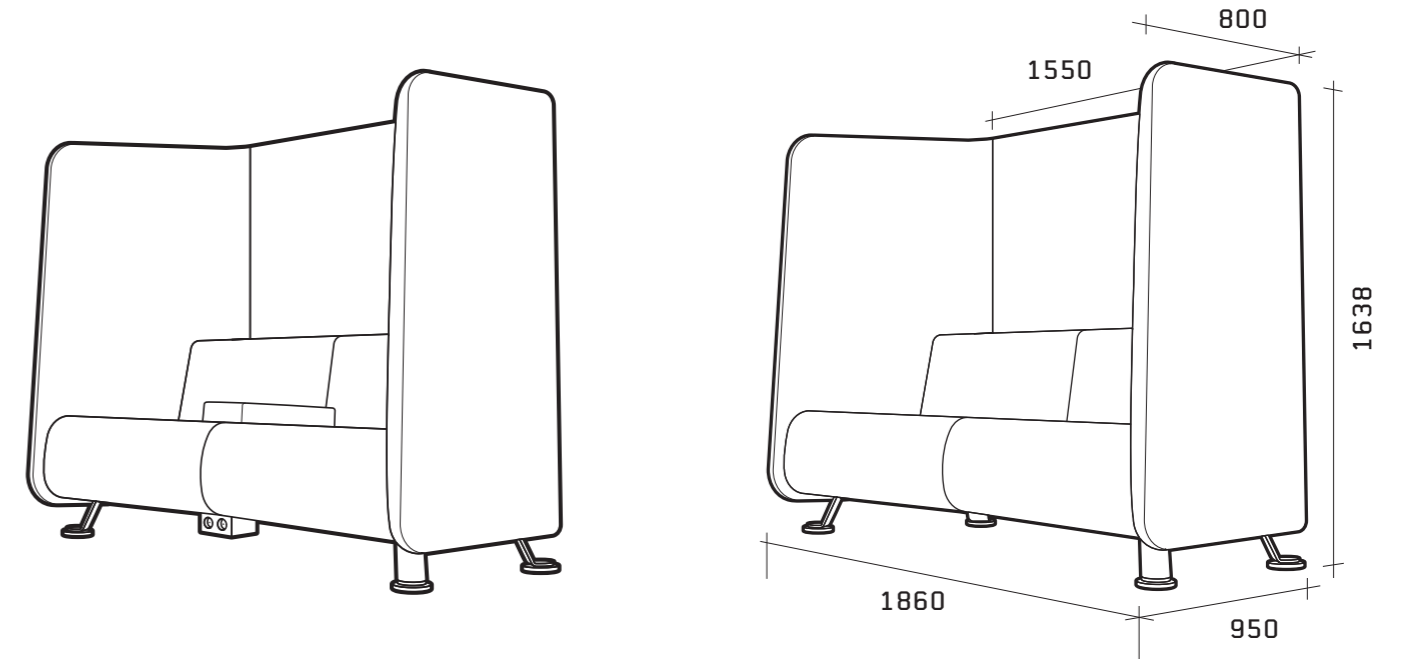
Form follows function as the sober beauty of Niche adapts easily to many different environments. Experience the Niche as you are embraced and the world around you fades away. Opening up the possibility of comfort and security, it allows you the control and the concentration you need in your meetings.

Dimensions

TYPE 1

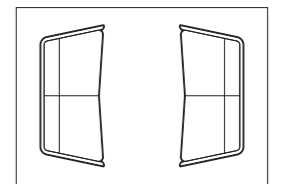
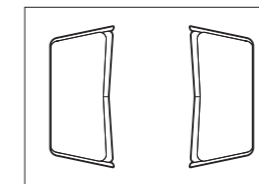


TYPE 2



The Niche is upholstered in one fabric. It is possible to differ the upholstery for the body (sides, back and roof) and the four cushions (back cushions and seats). The Niche is available with or without roof. You can choose from several accessories to make your Niche even more suitable. Available are two LED lights in the roof top and a socket box that can be added to charge your laptop or phone when sitting in a Niche. An upholstered armrest can function as an armrest or a writing tablet when turned upside down.

Configurations





"It is indeed nice to sit here. We can direct our attention on work, a meeting or a phone call. You're focused on your subject and on each other."





“This informal meeting place seems to stimulate interaction. The outside surroundings seem to disappear* and we even fit a team of six”

* Research shows that the Niche reduces the background noise level by 17 dB. With a reduction of 10 dB the user experiences half the background noise.



PROOFF Collection bv
p.o. box 34095
3005 GB Rotterdam
The Netherlands

+31 10 211 00 80
contact@prooff.com

www.prooff.com

twitter: @prooffnl
facebook: /prooffnl