

nurus

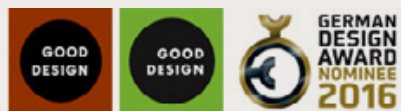
Alava Collection

Design by **Stefan Brodbeck**



Chic, stylish & naturalistic; anywhere...

Alava wields a modern character in a uni-body, shell-like form. Rich product line allows for use in a variety of spaces including offices, lounges, and waiting rooms, in accommodation, hospitality and educational zones. Overall, it is a versatile and comfortable seating that always creates a strong impression.



We've used minimum material when interpreting the Alava design: It is eco-friendly, totally recyclable and has been recognized an award at the annual Green Good Design Awards for Energy Conversion; waste and pollution efficiency. Alava's polypropylene uni-body, its cushioning and backrest are manufactured from materials that are a hundred percent recyclable, including any aluminum in various builds.

- Soft cushioning provides curiously comfortable seating.
- Fix upright or lean back up to 8 degrees (on Wheels and Glides).
- Height adjustable and swivels on a stable 69,5 cm diameter base (all except for Wooden Base and Bench).
- Black or light gray uni-body. Fabric, leather or eco leather upholstery.
- A rich variety of color combinations for cushions.



Alava on Wheels

Alava on Glides



Alava with Writing Pad



Alava on Wooden Base





You may see the Alava's capabilities by scanning the QR code.



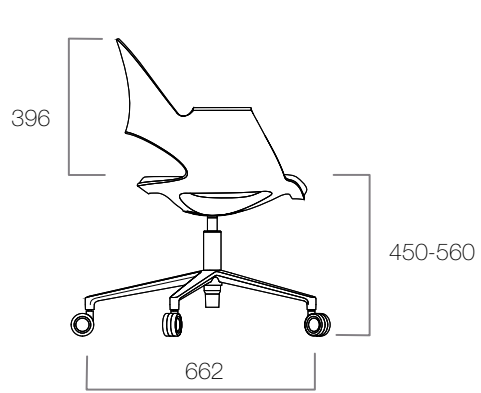
Backrest Tilt

Alava's backrest allows for up to 8 degrees of recline angle and may be fixed in an upright position.

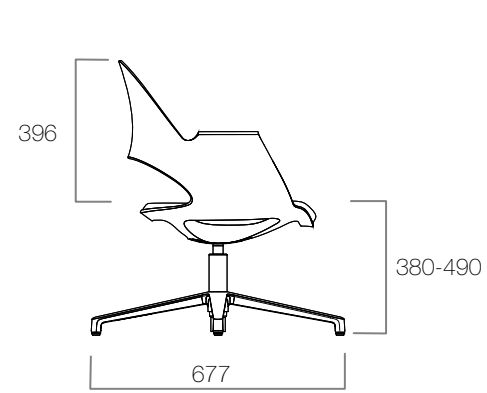
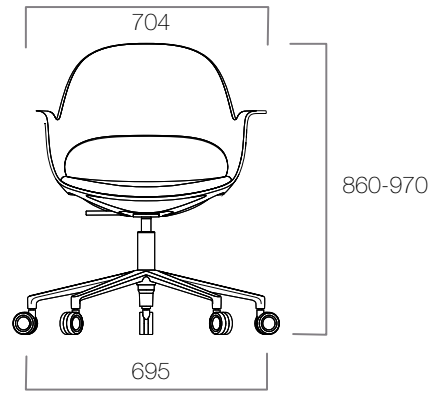




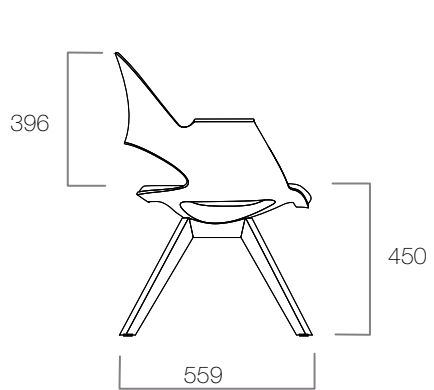
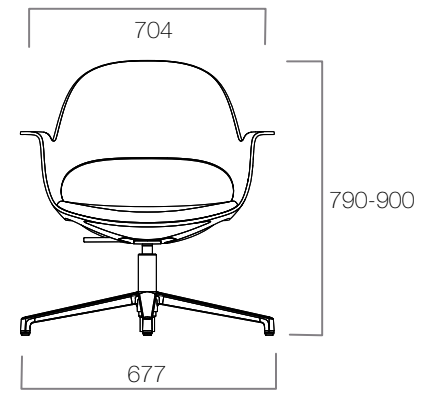
DIMENSIONS (mm)



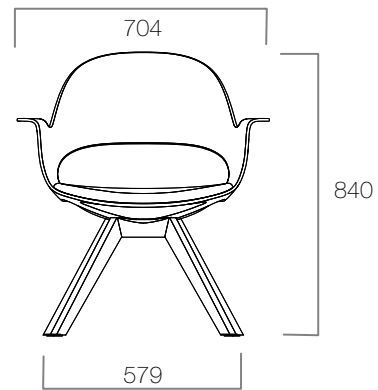
Alava on Wheels



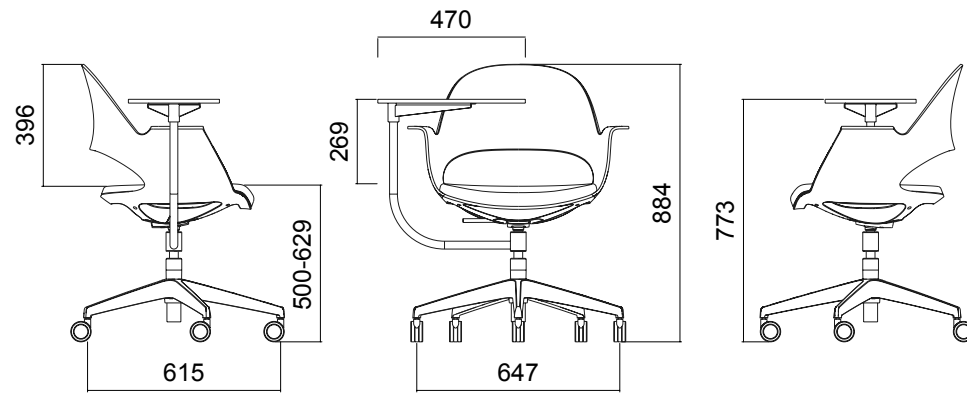
Alava on Glides



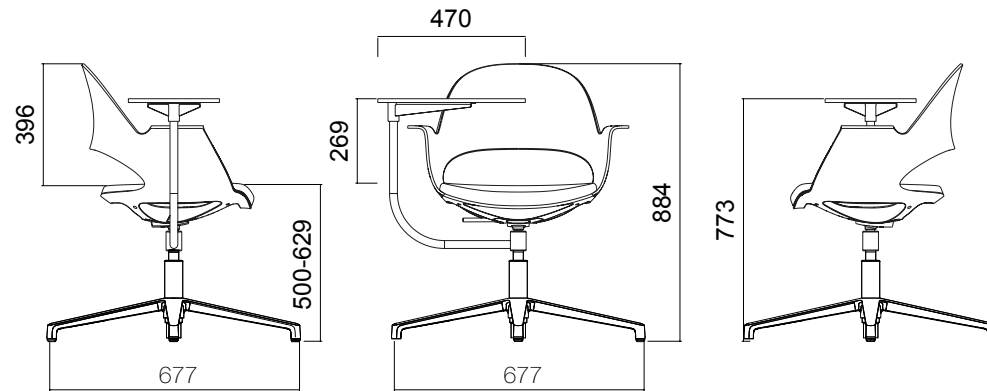
Alava on Wooden Base



DIMENSIONS (mm)

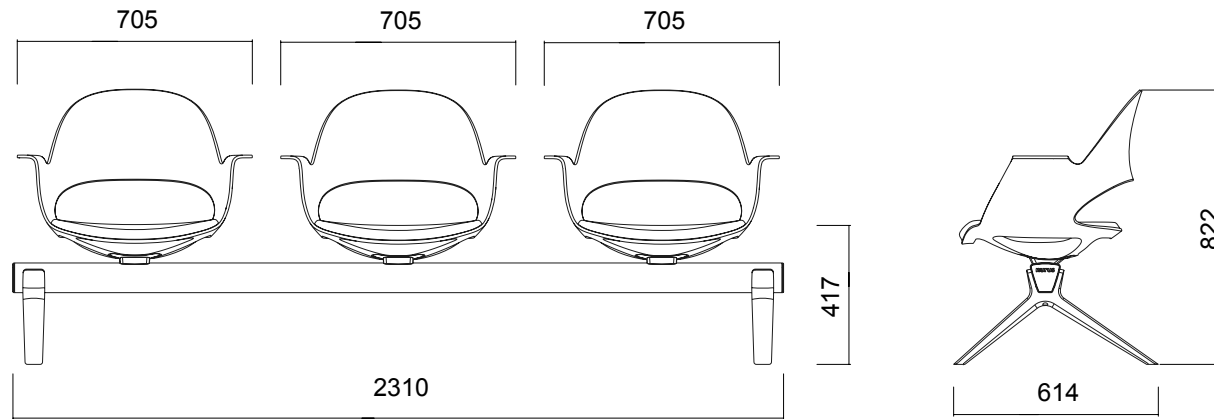


Alava with Writing Pad on Wheels



Alava with Writing Pad on Glides

DIMENSIONS (mm)



Alava Bench

nurus.com/alava