

PROOFF #002

WorkSofa

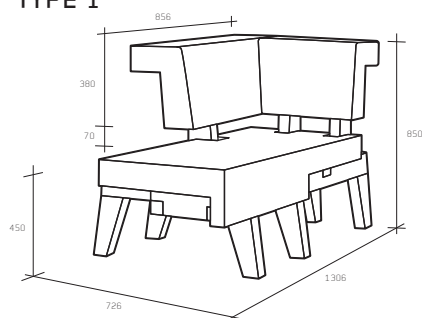
by Studio Makkink & Bey

A meeting place promotes communication. Standing. Sitting. Lounging. Close-up. Next to or from across.

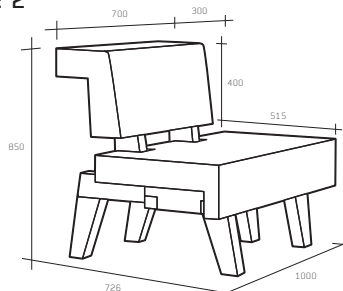


DIMENSIONS

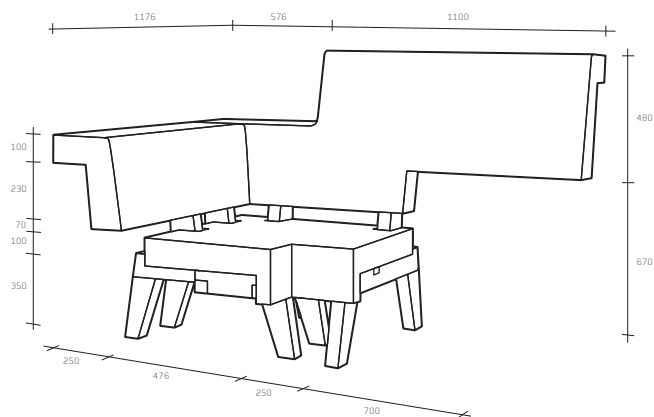
TYPE 1



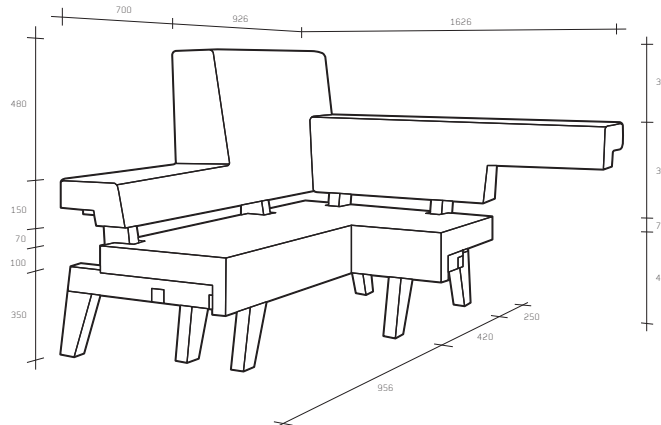
TYPE 2



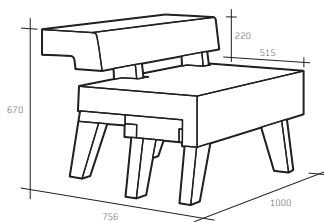
TYPE 3



TYPE 4



TYPE 5



TYPE 6

